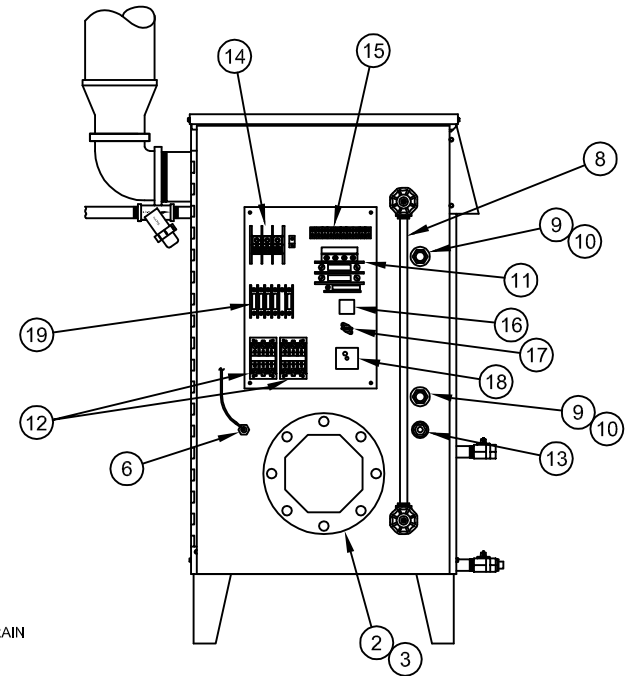
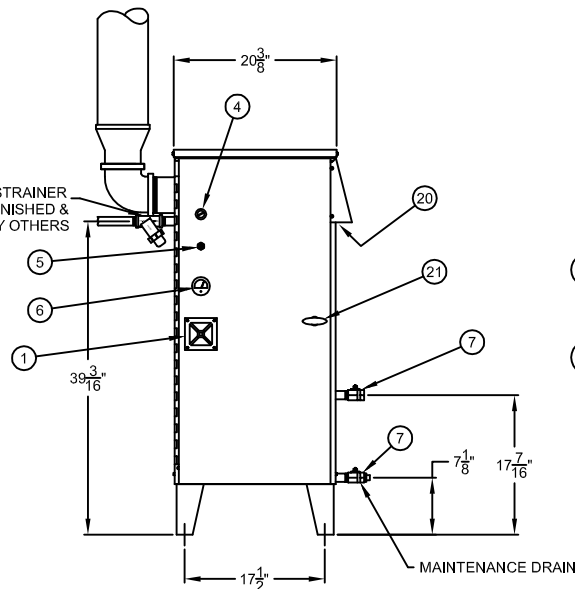
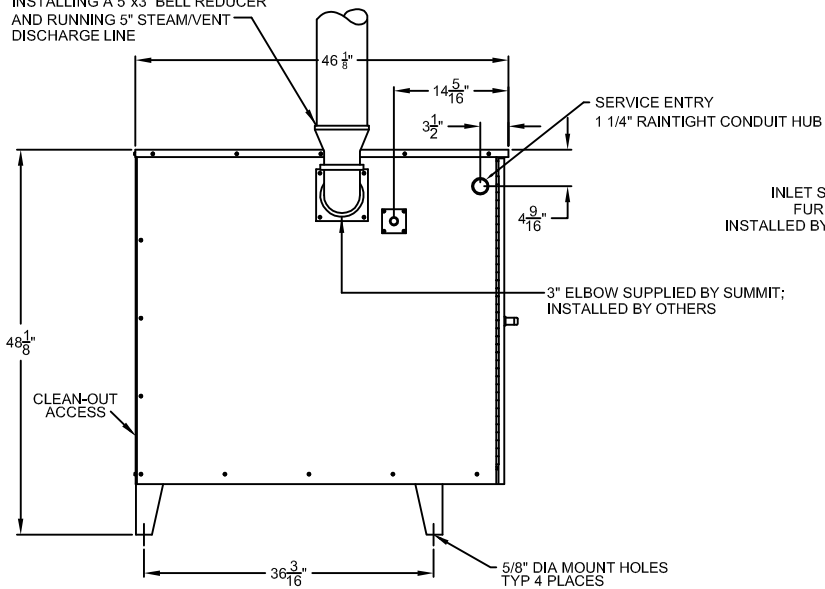


INSTALLATION DIMENSIONS

FOR BEST RESULTS, RECOMMEND INSTALLING A 5"x3" BELL REDUCER AND RUNNING 5" STEAM/VENT DISCHARGE LINE



(DOOR REMOVED THIS VIEW)

NOTES:

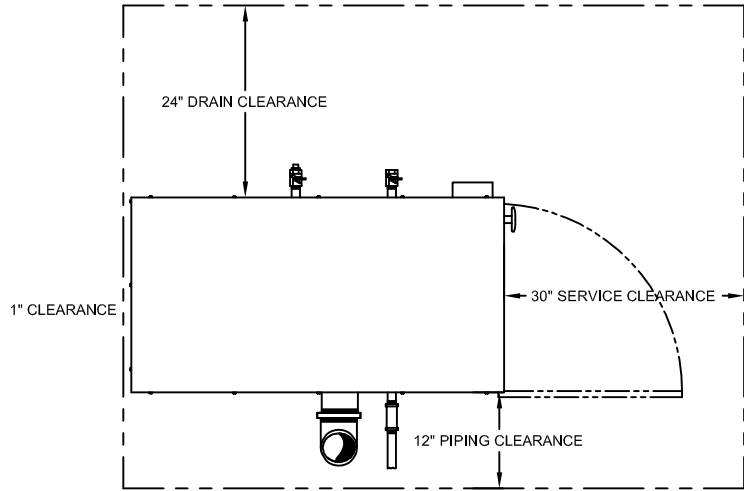
1. SHIPPING WEIGHT: 546 lbs.
2. CAPACITY: 15.8 lbs/hr; 1.9 gal/hr
3. SERVICE REQUIRED: 480 V, 3Ø, 11 A, 6 kW

MATERIAL LIST				
ITEM	QTY	DESCRIPTION	ROSS PART CODE	OLD PART NO
1	1	24V ELECTRIC HORN	349506	TR100-0424
2	1	FLAT FLANGE HEATER, 6 Kw, 480V	349508	TR100-0429
3	1	GASKET, 3" 150# FLAT FLANGE, C-4401 TYPE	349533	TR100-2696
4	1	2-POSITION SWITCH	349504	TR100-0420
5	1	24V PILOT LAMP, RED	349543	TR100-3192
6	1	TEMPERATURE GAUGE AUTOMETER 3431	349560	TR100-6002
7	2	3/4" BRASS BALL VALVE	349522	TR100-2086
8	1	SIGHT GLASS REPLACEMENT TUBE	349542	TR100-3146
9	2	FLOAT SWITCH SPDT HIGH TEMP	349525	TR100-2161
10	2	1 1/4" x 1" BUSHING	349526	TR100-2289
11	1	TRANSFORMER 100VA 240/480/24	349566	TR100-6008
12	2	CONTACTOR, 24 VAC 2-POLE 30, 30A/40A RESISTIVE	349552	TR100-4330
13	1	THERMOSTAT TEV50006 235	349544	TR100-3196
14	1	POWER DISTRIBUTION BLOCK, 3 POLE, 600V	349514	TR100-0793
15	1	TERMINAL BLOCK 12 POINT P&S	349521	TR100-2025
16	1	FULL WAVE BRIDGE RECTIFIER 12A, 400V	349559	TR100-6001
17	1	SWITCH THERMOSTAT 150 DEG.	349545	TR100-3215
18	1	SOLID STATE ON DELAY TIMER	349535	TR100-2827
19	2	FUSE BLOCK 600V, 30A, 3P	349532	TR100-2609
20	1	PANEL FAN 88 CFM, 24V DC	349561	TR100-6003
21	1	DOOR HANDLE, CHROME "T"	349536	TR100-2929

SUMMIT INDUSTRIAL PRODUCTS

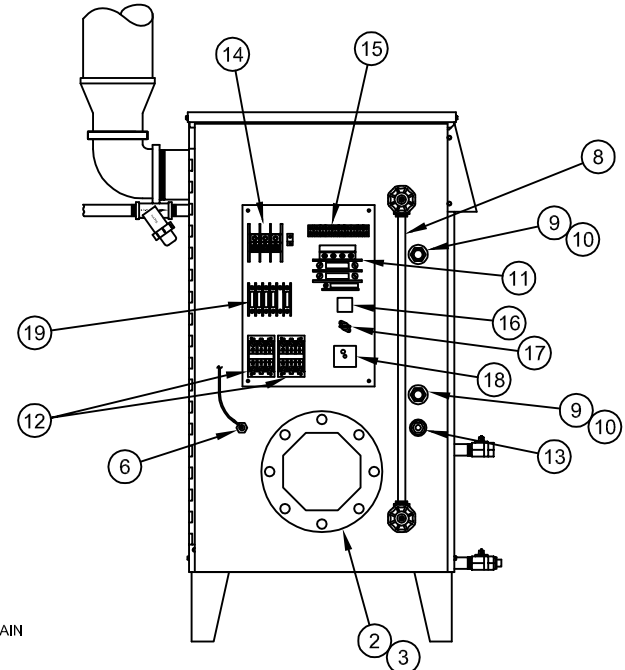
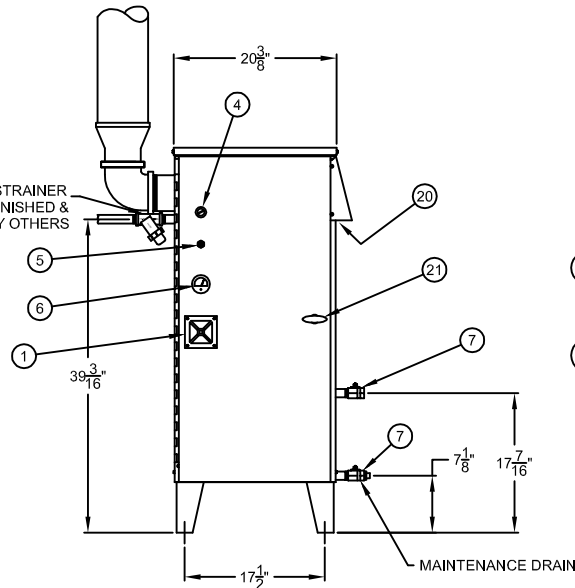
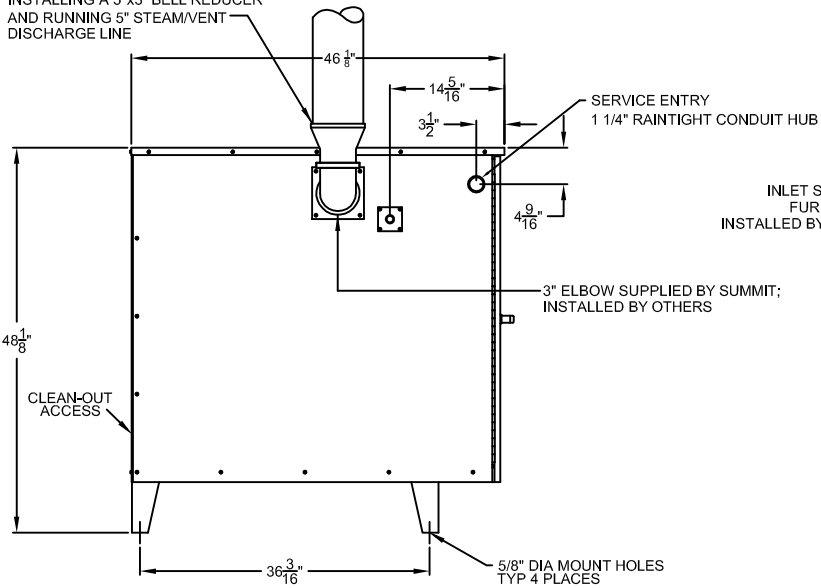
TITLE THERMAPHASE TP-6
GENERAL ARRANGEMENT & PARTS LIST

FIGURE NUMBER: TP-6 REV.: 00 DATE: 1/27/2016



INSTALLATION DIMENSIONS

FOR BEST RESULTS, RECOMMEND INSTALLING A 5"x3" BELL REDUCER AND RUNNING 5" STEAM/VENT DISCHARGE LINE



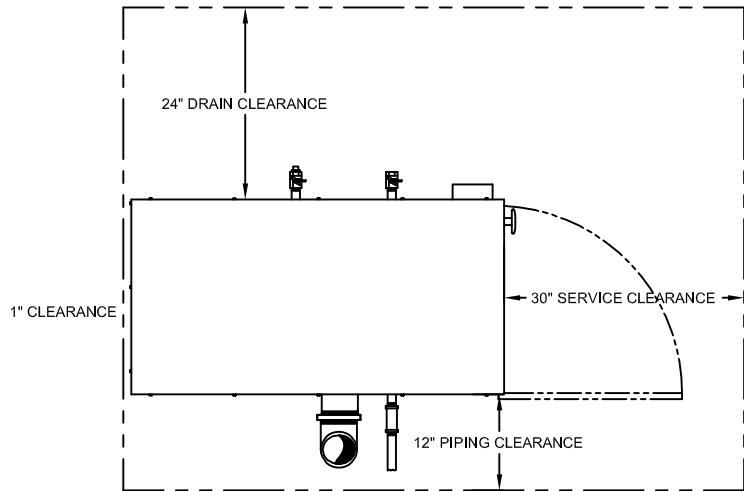
(DOOR REMOVED THIS VIEW)

MATERIAL LIST				
ITEM	QTY	DESCRIPTION	ROSS PART CODE	OLD PART NO
1	1	24V ELECTRIC HORN	349506	TR100-0424
2	1	FLAT FLANGE HEATER, 12 Kw, 480V	349519	TR100-1347
3	1	GASKET, 3" 150# FLAT FLANGE, C-4401 TYPE	349533	TR100-2696
4	1	2-POSITION SWITCH	349504	TR100-0420
5	1	24V PILOT LAMP, RED	349543	TR100-3192
6	1	TEMPERATURE GAUGE AUTOMETER 3431	349560	TR100-6002
7	2	3/4" BRASS BALL VALVE	349522	TR100-2086
8	1	SIGHT GLASS REPLACEMENT TUBE	349542	TR100-3146
9	2	FLOAT SWITCH SPDT HIGH TEMP	349525	TR100-2161
10	2	1 1/4" x 1" BUSHING	349526	TR100-2289
11	1	TRANSFORMER 100VA 240/480/24	349566	TR100-6008
12	2	CONTACTOR, 24 VAC 2-POLE 30, 30A/40A RESISTIVE	349552	TR100-4330
13	1	THERMOSTAT TEV50006 235	349544	TR100-3196
14	1	POWER DISTRIBUTION BLOCK, 3 POLE, 600V	349514	TR100-0793
15	1	TERMINAL BLOCK 12 POINT P&S	349521	TR100-2025
16	1	FULL WAVE BRIDGE RECTIFIER 12A, 400V	349559	TR100-6001
17	1	SWITCH THERMOSTAT 150 DEG.	349545	TR100-3215
18	1	SOLID STATE ON DELAY TIMER	349535	TR100-2827
19	2	FUSE BLOCK 600V, 30A, 3P	349532	TR100-2609
20	1	PANEL FAN 88 CFM, 24V DC	349561	TR100-6003
21	1	DOOR HANDLE, CHROME "T"	349536	TR100-2929

NOTES:

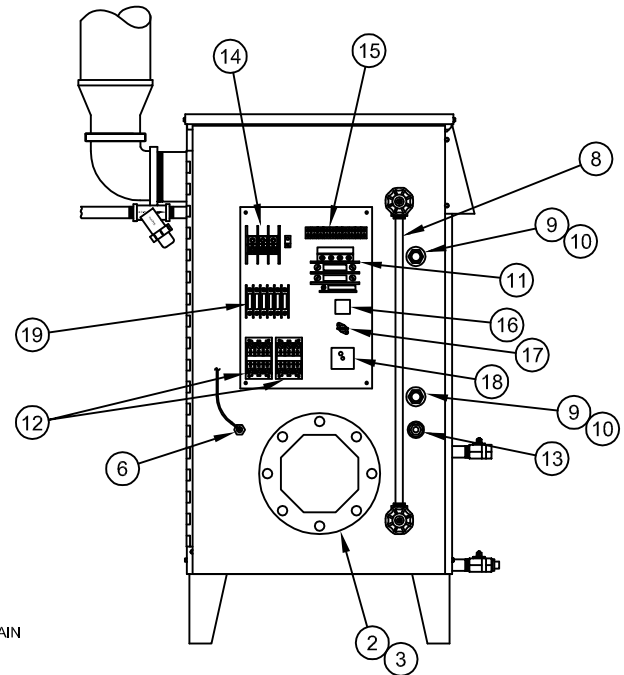
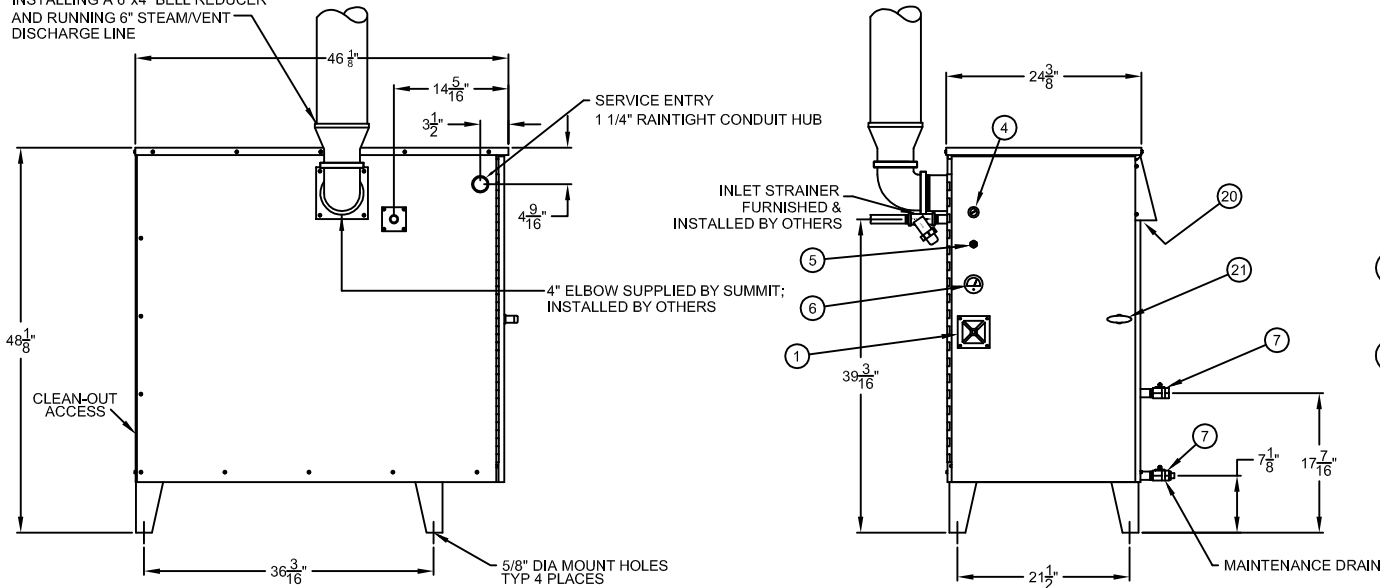
1. SHIPPING WEIGHT: 550 lbs.
2. CAPACITY: 34.2 lbs/hr; 4.1 gal/hr
3. SERVICE REQUIRED: 480 V, 3Ø, 19 A, 12 kW

SUMMIT INDUSTRIAL PRODUCTS		
TITLE THERMAPHASE TP-12 GENERAL ARRANGEMENT & PARTS LIST		
FIGURE NUMBER: TP-12	REV.: 00	DATE: 1/27/2016



INSTALLATION DIMENSIONS

FOR BEST RESULTS, RECOMMEND INSTALLING A 6"x4" BELL REDUCER AND RUNNING 6" STEAM/VENT DISCHARGE LINE



(DOOR REMOVED THIS VIEW)

MATERIAL LIST				
ITEM	QTY	DESCRIPTION	ROSS PART CODE	OLD PART NO
1	1	24V ELECTRIC HORN	349506	TR100-0424
2	1	FLAT FLANGE HEATER, 18 Kw, 480V	349523	TR100-2090
3	1	GASKET, 6" 150# FLAT FLANGE, C-4401 TYPE	349534	TR100-2697
4	1	2-POSITION SWITCH	349504	TR100-0420
5	1	24V PILOT LAMP, RED	349543	TR100-3192
6	1	TEMPERATURE GAUGE AUTOMETER 3431	349560	TR100-6002
7	2	3/4" BRASS BALL VALVE	349522	TR100-2086
8	1	SIGHT GLASS REPLACEMENT TUBE	349542	TR100-3146
9	2	FLOAT SWITCH SPDT HIGH TEMP	349525	TR100-2161
10	2	1 1/4" x 1" BUSHING	349526	TR100-2289
11	1	TRANSFORMER 100VA 240/480/24	349566	TR100-6008
12	2	CONTACTOR, 24 VAC 3-POLE 35A RESISTIVE	349568	TR100-6010
13	1	THERMOSTAT TEV50006 235	349544	TR100-3196
14	1	POWER DISTRIBUTION BLOCK, 3 POLE, 600V	349514	TR100-0793
15	1	TERMINAL BLOCK 12 POINT P&S	349521	TR100-2025
16	1	FULL WAVE BRIDGE RECTIFIER 12A, 400V	349559	TR100-6001
17	1	SWITCH THERMOSTAT 150 DEG.	349545	TR100-3215
18	1	SOLID STATE ON DELAY TIMER	349535	TR100-2827
19	2	FUSE BLOCK 600V, 30A, 3P	349532	TR100-2609
20	1	PANEL FAN 88 CFM, 24V DC	349561	TR100-6003
21	1	DOOR HANDLE, CHROME "T"	349536	TR100-2929

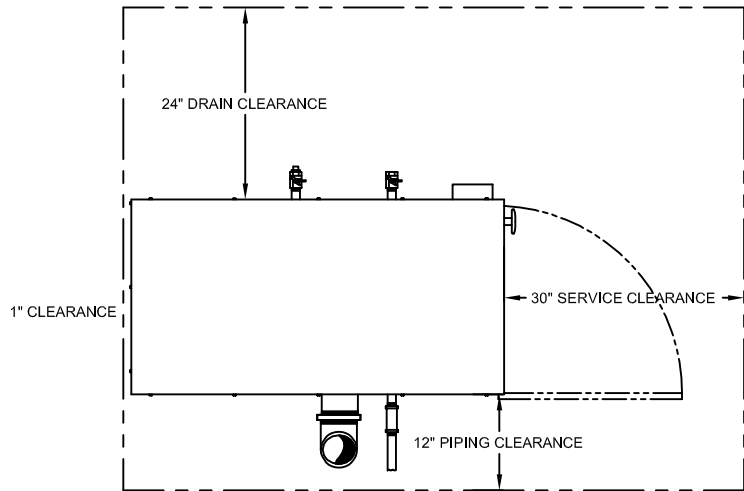
NOTES:

1. SHIPPING WEIGHT: 618 lbs.
2. CAPACITY: 51.6 lbs/hr; 6.2 gal/hr
3. SERVICE REQUIRED: 480 V, 3Ø, 21.7 A, 18 kW

SUMMIT INDUSTRIAL PRODUCTS

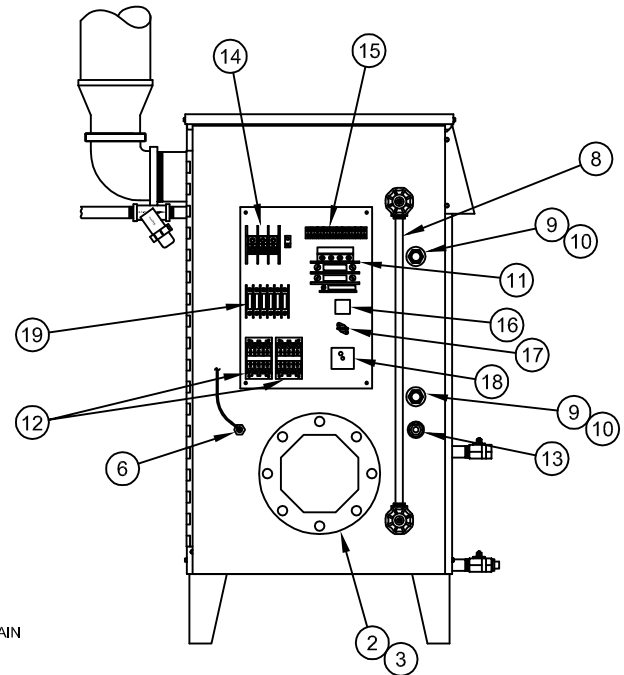
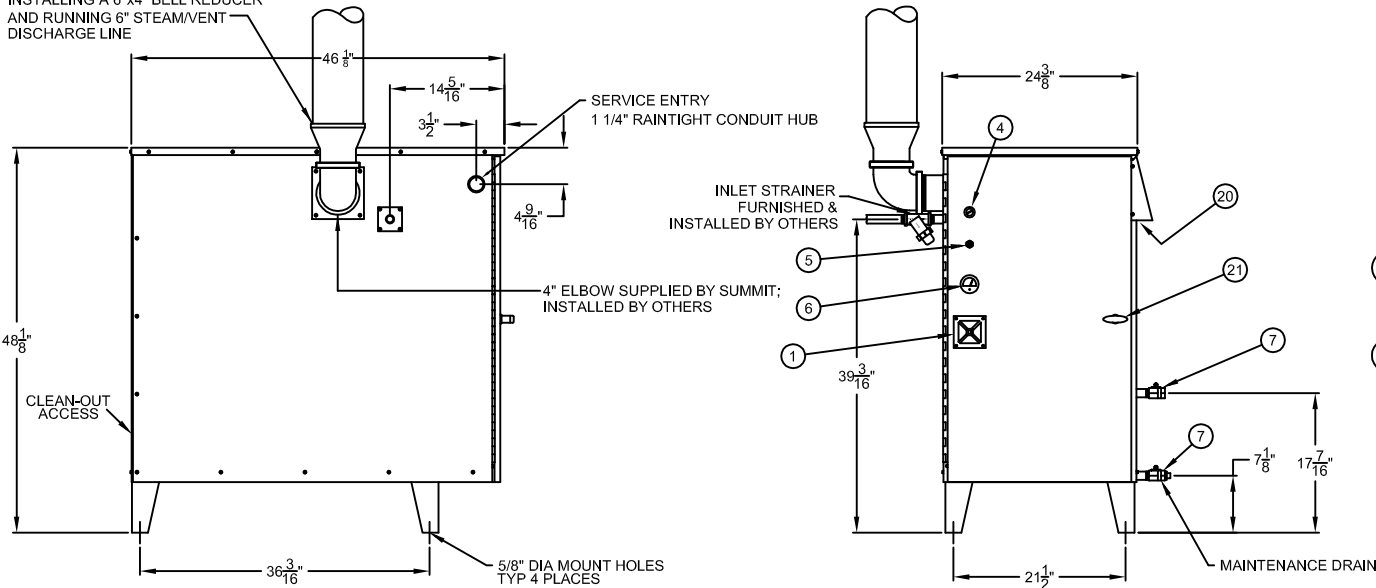
TITLE THERMAPHASE TP-18
GENERAL ARRANGEMENT & PARTS LIST

FIGURE NUMBER: TP-18 REV.: 00 DATE: 1/27/2016



INSTALLATION DIMENSIONS

FOR BEST RESULTS, RECOMMEND INSTALLING A 6"x4" BELL REDUCER AND RUNNING 6" STEAM/VENT DISCHARGE LINE



(DOOR REMOVED THIS VIEW)

MATERIAL LIST				
ITEM	QTY	DESCRIPTION	ROSS PART CODE	OLD PART NO
1	1	24V ELECTRIC HORN	349506	TR100-0424
2	1	FLAT FLANGE HEATER, 24 Kw, 480V	349531	TR100-2538
3	1	GASKET, 6" 150# FLAT FLANGE, C-4401 TYPE	349534	TR100-2697
4	1	2-POSITION SWITCH	349504	TR100-0420
5	1	24V PILOT LAMP, RED	349543	TR100-3192
6	1	TEMPERATURE GAUGE AUTOMETER 3431	349560	TR100-6002
7	2	3/4" BRASS BALL VALVE	349522	TR100-2086
8	1	SIGHT GLASS REPLACEMENT TUBE	349542	TR100-3146
9	2	FLOAT SWITCH SPDT HIGH TEMP	349525	TR100-2161
10	2	1 1/4" x 1" BUSHING	349526	TR100-2289
11	1	TRANSFORMER 100VA 240/480/24	349566	TR100-6008
12	2	CONTACTOR, 24 VAC 3-POLE 35A RESISTIVE	349568	TR100-6010
13	1	THERMOSTAT TEV50006 235	349544	TR100-3196
14	1	POWER DISTRIBUTION BLOCK, 3 POLE, 600V	349514	TR100-0793
15	1	TERMINAL BLOCK 12 POINT P&S	349521	TR100-2025
16	1	FULL WAVE BRIDGE RECTIFIER 12A, 400V	349559	TR100-6001
17	1	SWITCH THERMOSTAT 150 DEG.	349545	TR100-3215
18	1	SOLID STATE ON DELAY TIMER	349535	TR100-2827
19	2	FUSE BLOCK 600V, 30A, 3P	349532	TR100-2609
20	1	PANEL FAN 88 CFM, 24V DC	349561	TR100-6003
21	1	DOOR HANDLE, CHROME "T"	349536	TR100-2929

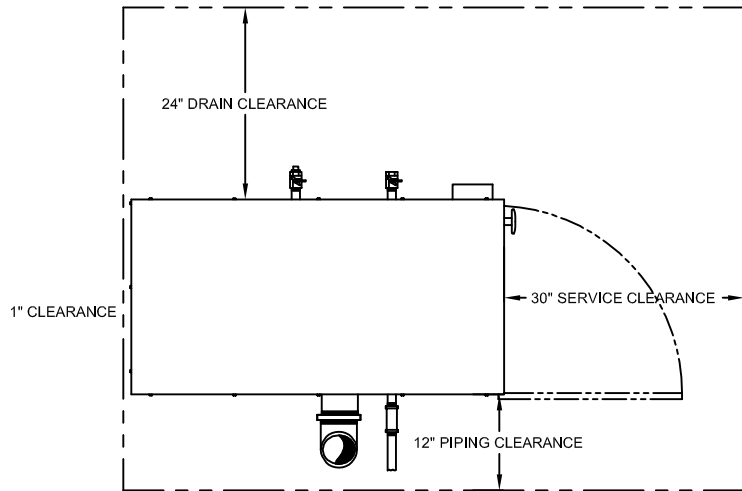
NOTES:

1. SHIPPING WEIGHT: 624 lbs.
2. CAPACITY: 69.1 lbs/hr; 8.3 gal/hr
3. SERVICE REQUIRED: 480 V, 3Ø, 28.9 A, 24 kW

SUMMIT INDUSTRIAL PRODUCTS

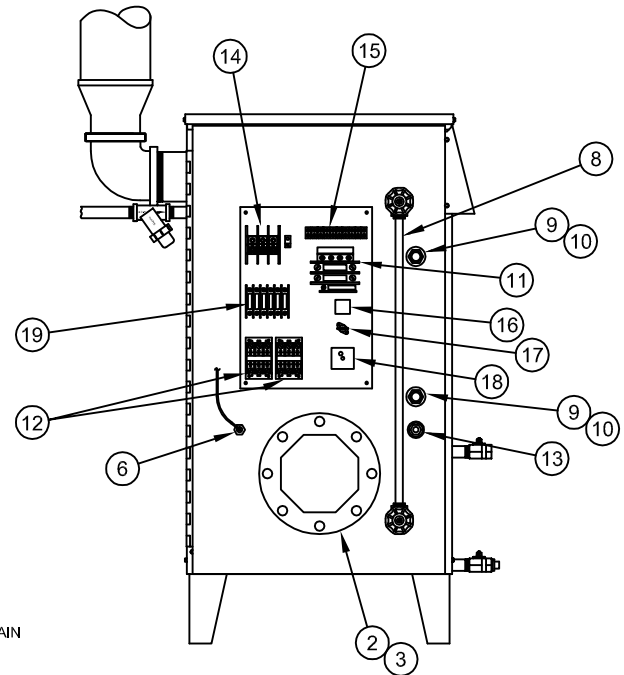
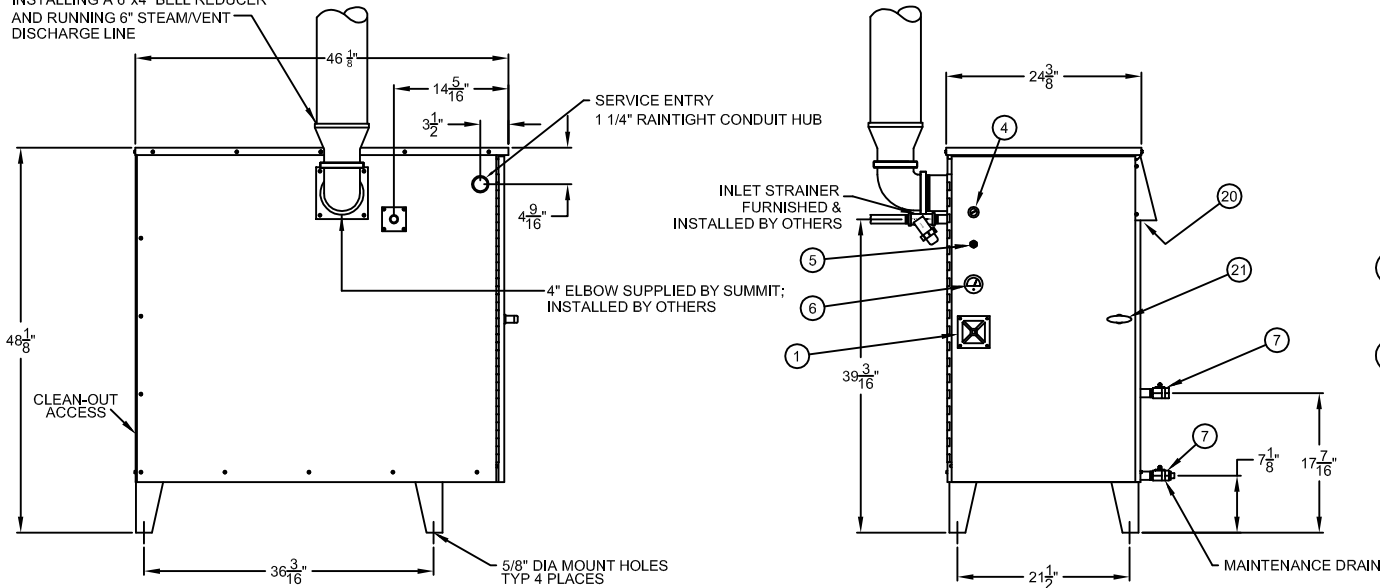
TITLE THERMAPHASE TP-24
GENERAL ARRANGEMENT & PARTS LIST

FIGURE NUMBER: TP-24 REV.: 00 DATE: 1/27/2016



INSTALLATION DIMENSIONS

FOR BEST RESULTS, RECOMMEND INSTALLING A 6"x4" BELL REDUCER AND RUNNING 6" STEAM/VENT DISCHARGE LINE



(DOOR REMOVED THIS VIEW)

MATERIAL LIST				
ITEM	QTY	DESCRIPTION	ROSS PART CODE	OLD PART NO
1	1	24V ELECTRIC HORN	349506	TR100-0424
2	1	FLAT FLANGE HEATER, 36 Kw, 480V	349516	TR100-1032
3	1	GASKET, 6" 150# FLAT FLANGE, C-4401 TYPE	349534	TR100-2697
4	1	2-POSITION SWITCH	349504	TR100-0420
5	1	24V PILOT LAMP, RED	349543	TR100-3192
6	1	TEMPERATURE GAUGE AUTOMETER 3431	349560	TR100-6002
7	2	3/4" BRASS BALL VALVE	349522	TR100-2086
8	1	SIGHT GLASS REPLACEMENT TUBE	349542	TR100-3146
9	2	FLOAT SWITCH SPDT HIGH TEMP	349525	TR100-2161
10	2	1 1/4" x 1" BUSHING	349526	TR100-2289
11	1	TRANSFORMER 100VA 240/480/24	349566	TR100-6008
12	2	CONTACTOR, 24 VAC 3-POLE 35A RESISTIVE	349568	TR100-6010
13	1	THERMOSTAT TEV50006 235	349544	TR100-3196
14	1	POWER DISTRIBUTION BLOCK, 3 POLE, 600V	349514	TR100-0793
15	1	TERMINAL BLOCK 12 POINT P&S	349521	TR100-2025
16	1	FULL WAVE BRIDGE RECTIFIER 12A, 400V	349559	TR100-6001
17	1	SWITCH THERMOSTAT 150 DEG.	349545	TR100-3215
18	1	SOLID STATE ON DELAY TIMER	349535	TR100-2827
19	2	FUSE BLOCK 600V, 30A, 3P	349532	TR100-2609
20	1	PANEL FAN 88 CFM, 24V DC	349561	TR100-6003
21	1	DOOR HANDLE, CHROME "T"	349536	TR100-2929

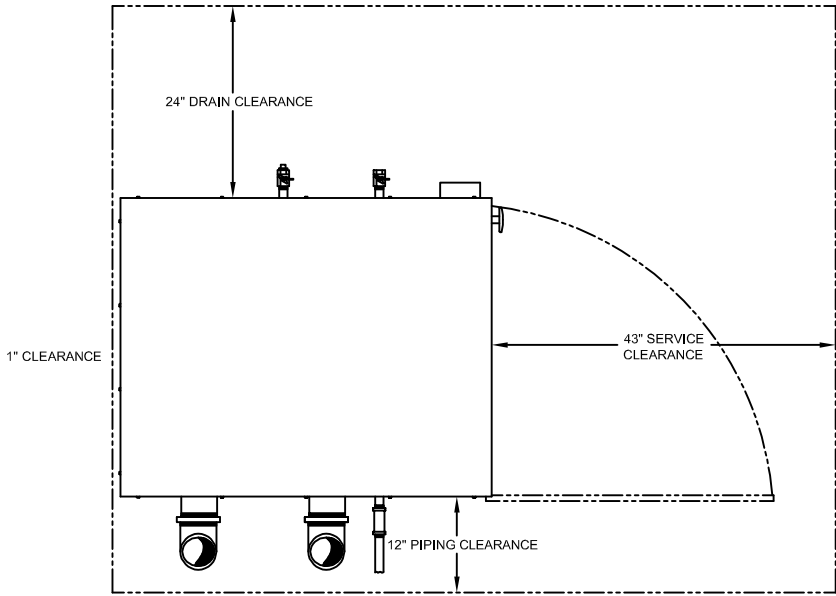
NOTES:

1. SHIPPING WEIGHT: 633 lbs.
2. CAPACITY: 104.1 lbs/hr; 12.5 gal/hr
3. SERVICE REQUIRED: 480 V, 3Ø, 43.4 A, 36 kW

SUMMIT INDUSTRIAL PRODUCTS

TITLE THERMAPHASE TP-36
GENERAL ARRANGEMENT & PARTS LIST

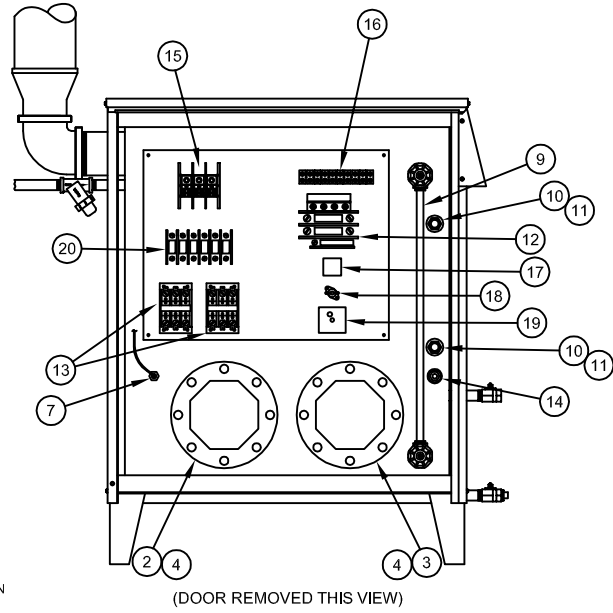
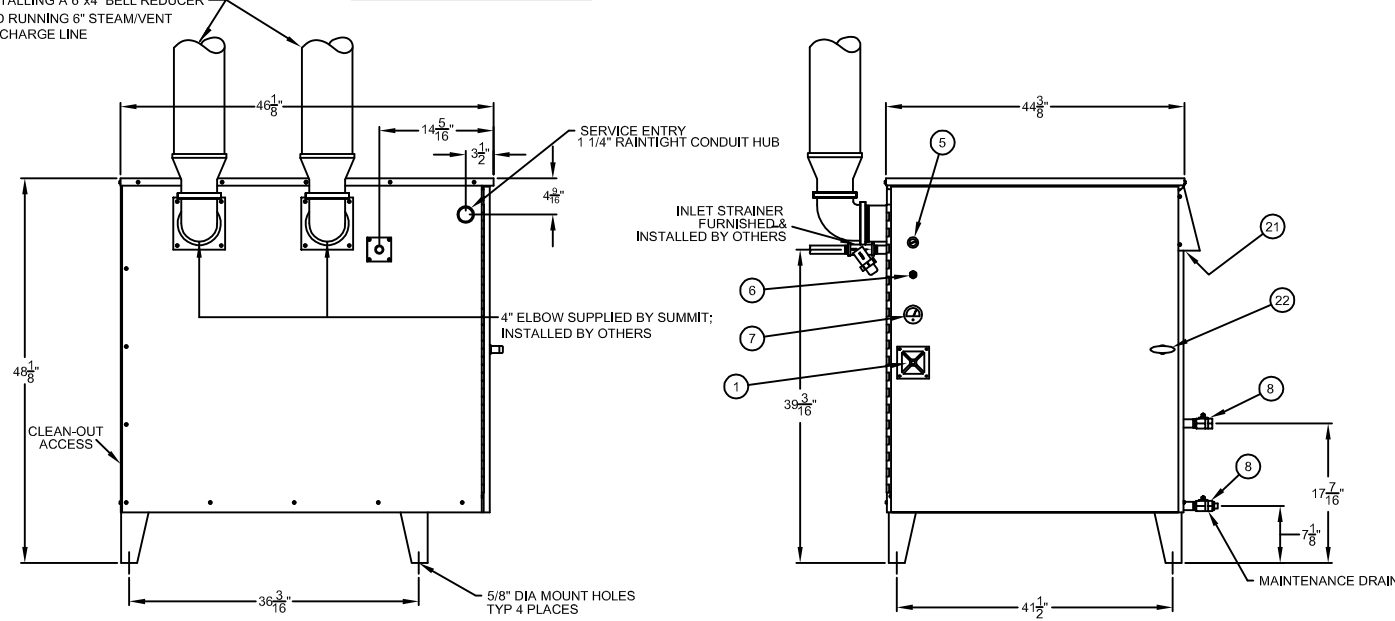
FIGURE NUMBER: TP-36 REV.: 00 DATE: 1/27/2016



MATERIAL LIST				
ITEM	QTY	DESCRIPTION	ROSS PART CODE	OLD PART NO
1	1	24V ELECTRIC HORN	349506	TR100-0424
2	1	FLAT FLANGE HEATER, 36 Kw, 480V	349516	TR100-1032
3	1	FLAT FLANGE HEATER, 18 Kw, 480V	349523	TR100-2090
4	1	GASKET, 6" 150# FLAT FLANGE, C-4401 TYPE	349534	TR100-2697
5	1	2-POSITION SWITCH	349504	TR100-0420
6	1	24V PILOT LAMP, RED	349543	TR100-3192
7	1	TEMPERATURE GAUGE AUTOMETER 3431	349560	TR100-6002
8	2	3/4" BRASS BALL VALVE	349522	TR100-2086
9	1	SIGHT GLASS REPLACEMENT TUBE	349542	TR100-3146
10	2	FLOAT SWITCH SPDT HIGH TEMP	349525	TR100-2161
11	2	1 1/4" x 1" BUSHING	349526	TR100-2289
12	1	TRANSFORMER 100VA 240/480/24	349566	TR100-6008
13	2	CONTACTOR, 24 VAC 3-POLE 50A/65AMP RESISTIVE	349558	TR100-6000
14	1	THERMOSTAT TEV50006 235	349544	TR100-3196
15	1	POWER DISTRIBUTION BLOCK, 3 POLE, 600V	349514	TR100-0793
16	1	TERMINAL BLOCK 12 POINT P&S	349521	TR100-2025
17	1	FULL WAVE BRIDGE RECTIFIER 12A, 400V	349559	TR100-6001
18	1	SWITCH THERMOSTAT 150 DEG.	349545	TR100-3215
19	1	SOLID STATE ON DELAY TIMER	349535	TR100-2827
20	2	FUSE BLOCK 60A	349502	TR100-0283
21	1	PANEL FAN 88 CFM, 24V DC	349561	TR100-6003
22	1	DOOR HANDLE, CHROME "T"	349536	TR100-2929

FOR BEST RESULTS, RECOMMEND INSTALLING A 6"x4" BELL REDUCER AND RUNNING 6" STEAM/VENT DISCHARGE LINE

INSTALLATION DIMENSIONS

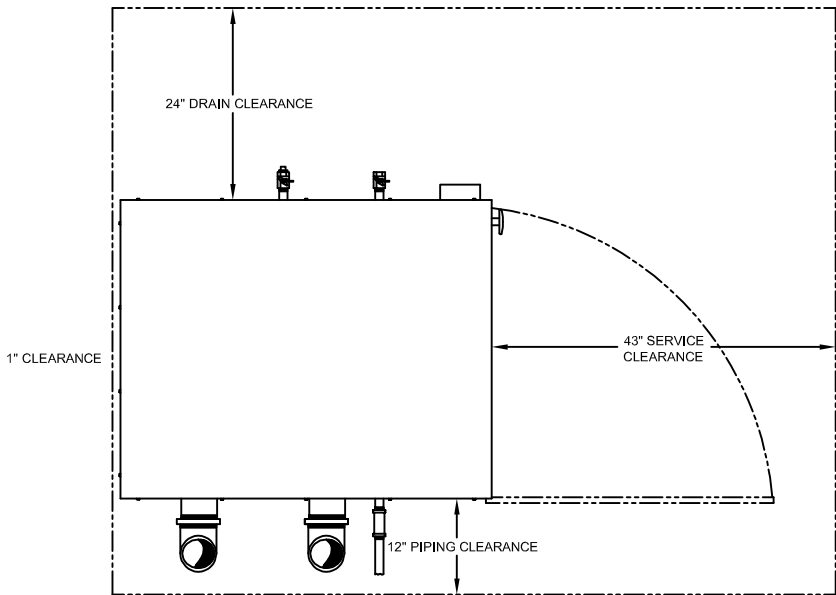


- NOTES:**
1. SHIPPING WEIGHT: 819 lbs.
 2. CAPACITY: 156.6 lbs/hr; 18.8 gal/hr
 3. SERVICE REQUIRED: 480 V, 3Ø, 65.0 A, 54 kW

SUMMIT INDUSTRIAL PRODUCTS

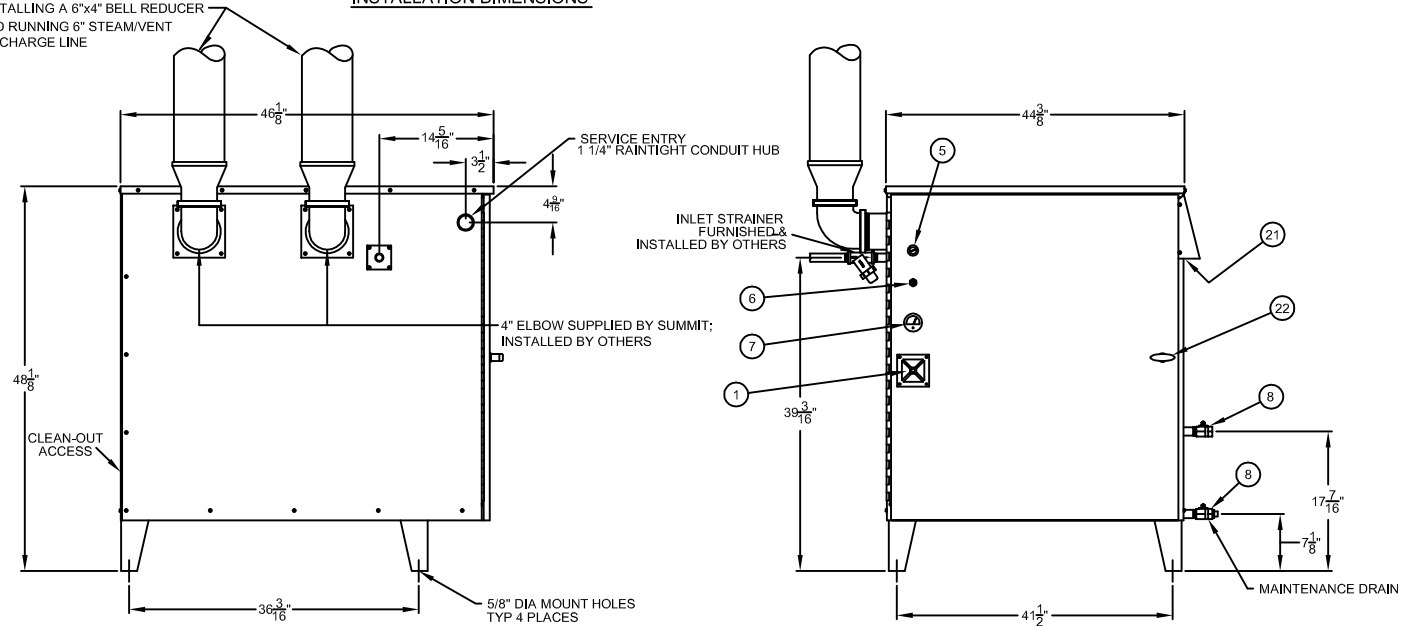
TITLE THERMAPHASE TP-54
GENERAL ARRANGEMENT & PARTS LIST

FIGURE NUMBER: TP-54	REV.: 00	DATE: 1/27/2016
-------------------------	-------------	--------------------

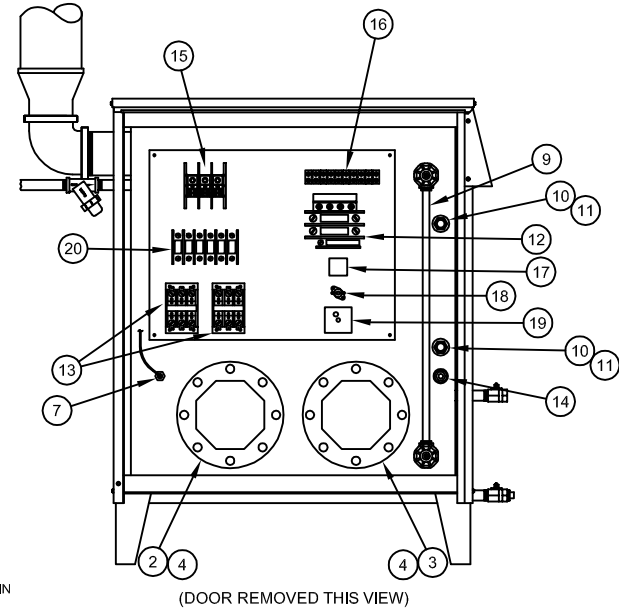


INSTALLATION DIMENSIONS

FOR BEST RESULTS, RECOMMEND INSTALLING A 6"x4" BELL REDUCER AND RUNNING 6" STEAM/VENT DISCHARGE LINE



MATERIAL LIST				
ITEM	QTY	DESCRIPTION	ROSS PART CODE	OLD PART NO
1	1	24V ELECTRIC HORN	349506	TR100-0424
2	1	FLAT FLANGE HEATER, 36 Kw, 480V	349516	TR100-1032
3	1	FLAT FLANGE HEATER, 36 Kw, 480V	349516	TR100-1032
4	1	GASKET, 6" 150# FLAT FLANGE, C-4401 TYPE	349534	TR100-2697
5	1	2-POSITION SWITCH	349504	TR100-0420
6	1	24V PILOT LAMP, RED	349543	TR100-3192
7	1	TEMPERATURE GAUGE AUTOMETER 3431	349560	TR100-6002
8	2	3/4" BRASS BALL VALVE	349522	TR100-2086
9	1	SIGHT GLASS REPLACEMENT TUBE	349542	TR100-3146
10	2	FLOAT SWITCH SPDT HIGH TEMP	349525	TR100-2161
11	2	1 1/4" x 1" BUSHING	349526	TR100-2289
12	1	TRANSFORMER 100VA 240/480/24	349566	TR100-6008
13	2	CONTACTOR, 24 VAC 3-POLE 50A/65AMP RESISTIVE	349558	TR100-6000
14	1	THERMOSTAT TEV50006 235	349544	TR100-3196
15	1	POWER DISTRIBUTION BLOCK, 3 POLE, 600V	349514	TR100-0793
16	1	TERMINAL BLOCK 12 POINT P&S	349521	TR100-2025
17	1	FULL WAVE BRIDGE RECTIFIER 12A, 400V	349559	TR100-6001
18	1	SWITCH THERMOSTAT 150 DEG.	349545	TR100-3215
19	1	SOLID STATE ON DELAY TIMER	349535	TR100-2827
20	2	FUSE BLOCK 60A	349502	TR100-0283
21	1	PANEL FAN 88 CFM, 24V DC	349561	TR100-6003
22	1	DOOR HANDLE, CHROME "T"	349536	TR100-2929



NOTES:

1. SHIPPING WEIGHT: 834 lbs.
2. CAPACITY: 209.1 lbs/hr; 25.1 gal/hr
3. SERVICE REQUIRED: 480 V, 3Ø, 86.7 A, 72 kW

SUMMIT INDUSTRIAL PRODUCTS

TITLE THERMAPHASE TP-72
GENERAL ARRANGEMENT & PARTS LIST

FIGURE NUMBER: TP-72 REV.: 00 DATE: 1/27/2016